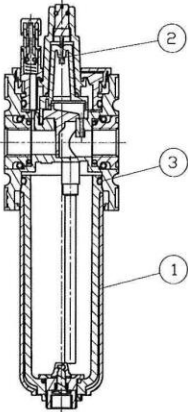


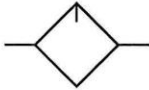
**Lubricator FUTURA-SERIE**

Kenngößen	Typ	FU 901	FU 902
port size		G 1/4	G 3/8
description		lubricator with automatic oil filling	
medium		compressed air, neutral gases	
mounting		vertical	
medium- and ambient temperature		max. 50 °C	
supply pressure		Pe max. 16 bar	
bowl volume		oil quantity max. 40 cm <sup>3</sup>	
oil metering qv=1000l/min		1 - 2 drops/min	
oil type		CL 32 DIN 51517 - ISO VG 32	
fixing		mounting bracket, wall mounting	
weight		0,230 kg	

**parts**

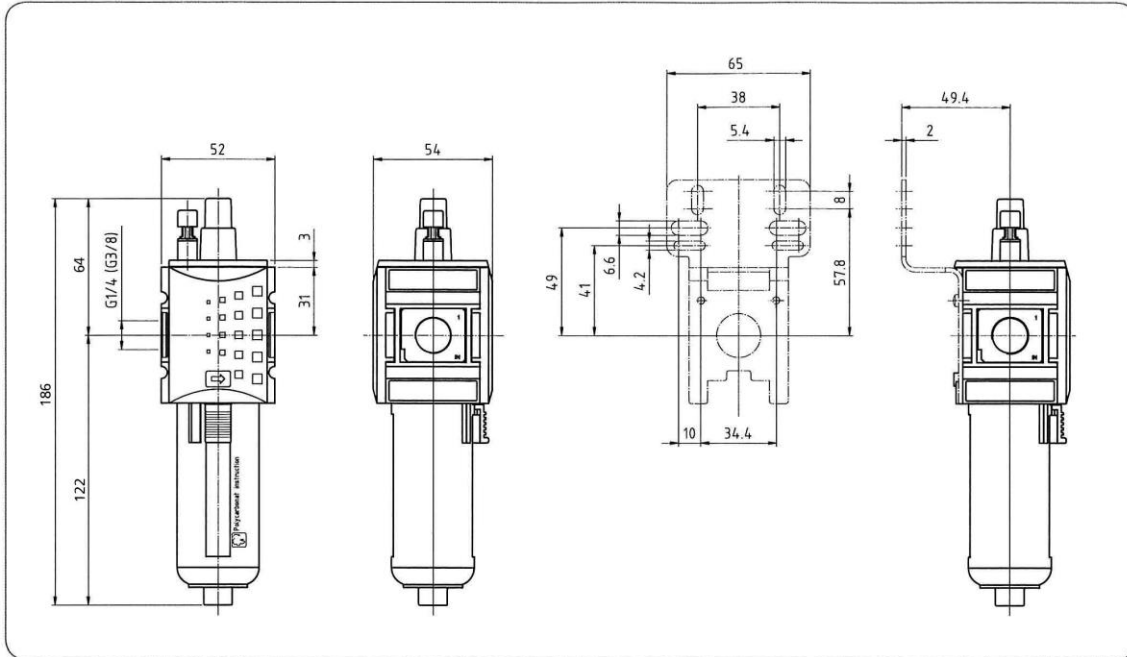
no.	designation	material	order-no.
1	bowl	polycarbonate	
2	dome assembly	polycarbonate	
3	o-ring 32 x 2,5	NBR	



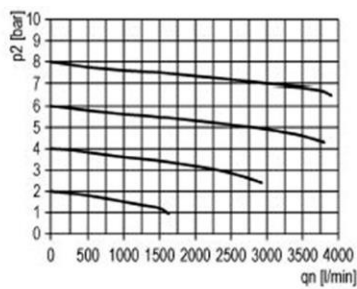
series 1

**application information**  
 – Can be filled with oil during operation  
 – Interlocking of several individual devices requires coupling kit(s) KOP-1

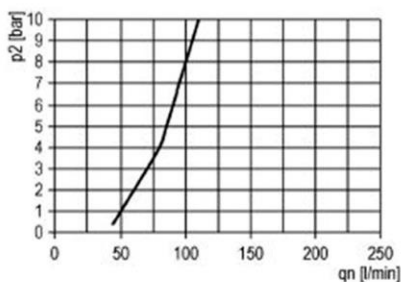
dimensions (mm)



pressure characteristic



lubricator operating limit



accessories 2

